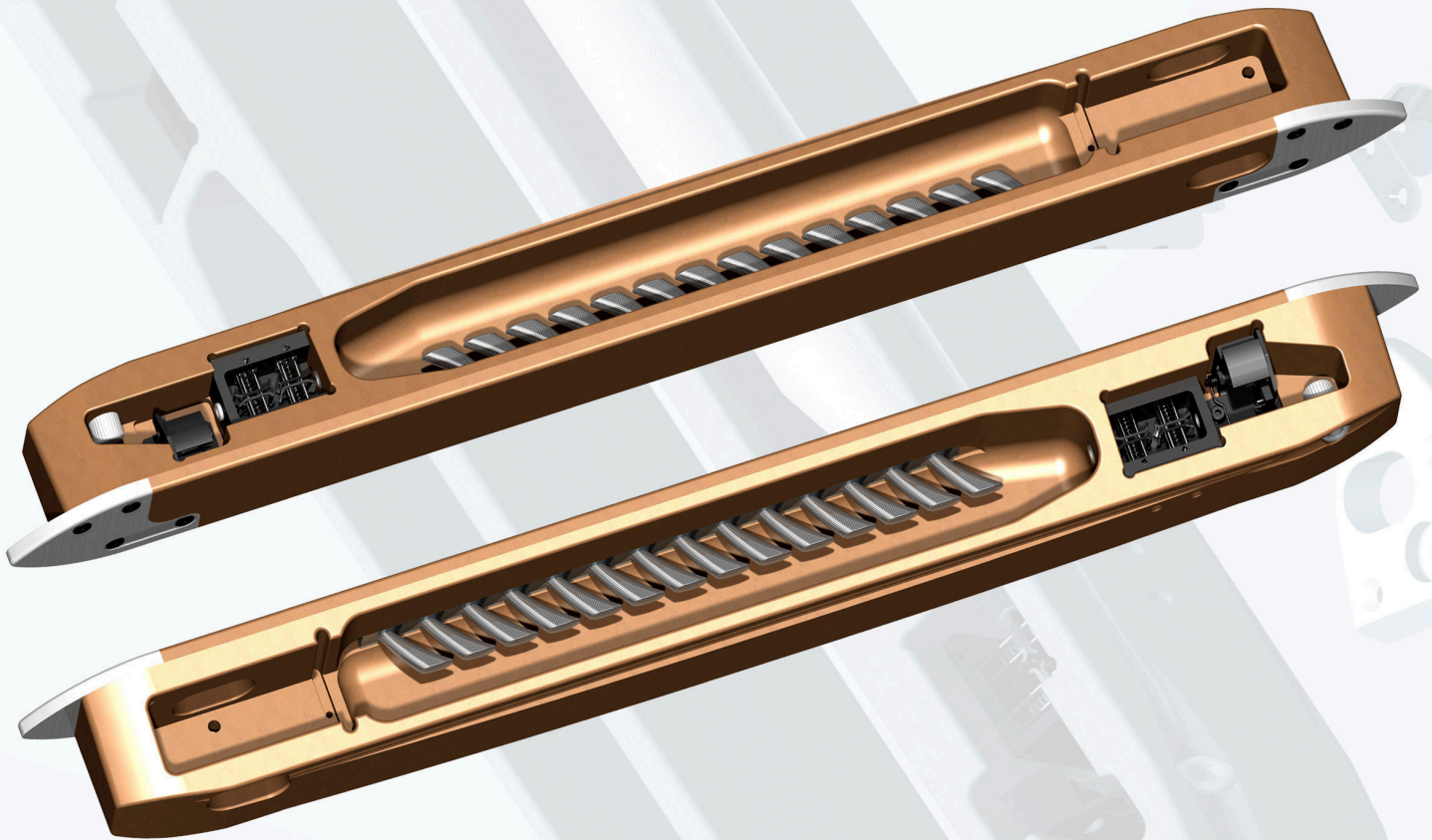


Solutions for Perfection from Marin Industrietechnik

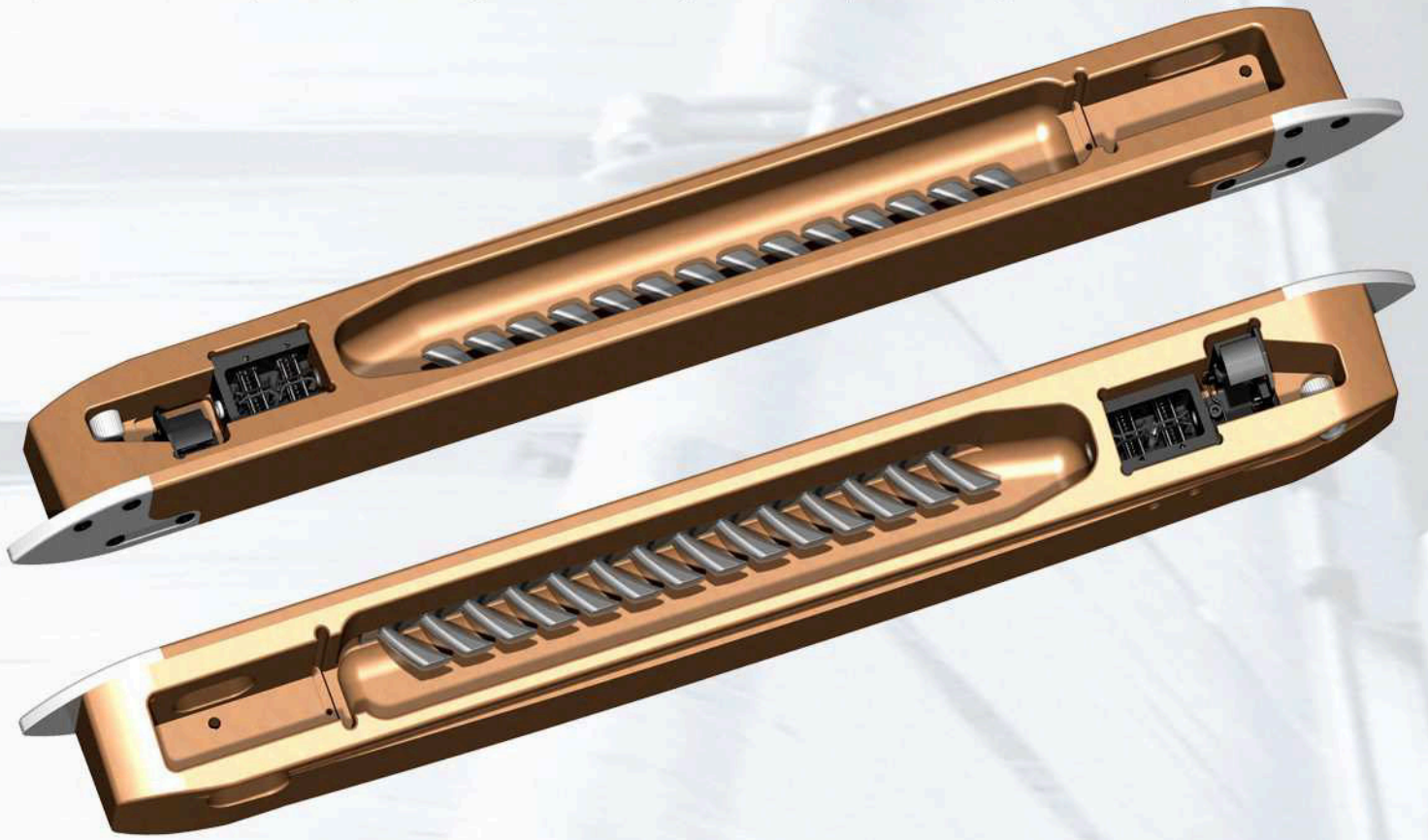
## Heavy Weight Weaving Shuttles VRK-N1

- *10-15 % Higher productivity utilization*
- *Cost reduction due to long life materials*
- *Cost saving due to modular construction*
- *No weaving marks on the fabric*



## Weaving Shuttles Type VRK-N1

High-Tec Shuttle type VRK-N1, with polished sliding skids and full equipment. Application: Felt weaving looms with hydraulic insertion system and automatic pin changer on the right loom side. Changeable brush strips will be integrated customer specific.



### Full equipment:

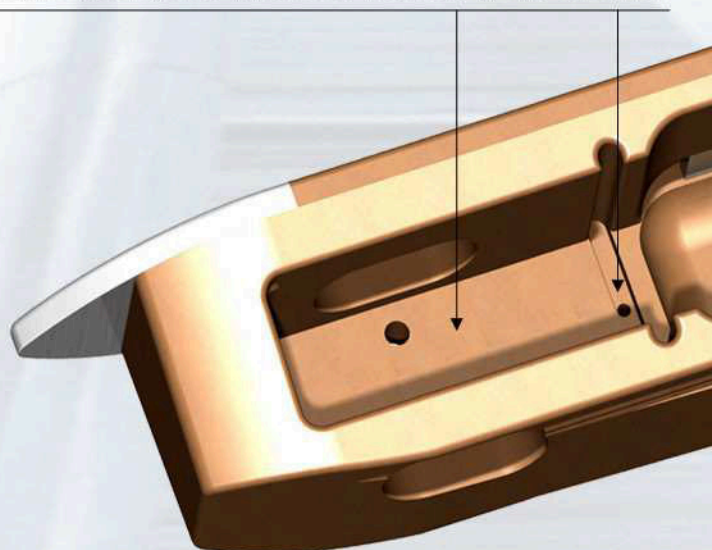
2 Ceramic eyelets, 1 Shuttle nose type VRL, 1 Shuttle nose type VRR, 2 Sensor plates type V, 1 Yarn cutter type A, 1 Filling brake type BR, 1 Brush strip 325 mm or 350 mm and all screwing connections.

### Shuttle dimensions:

750/700x80x67/50 mm.

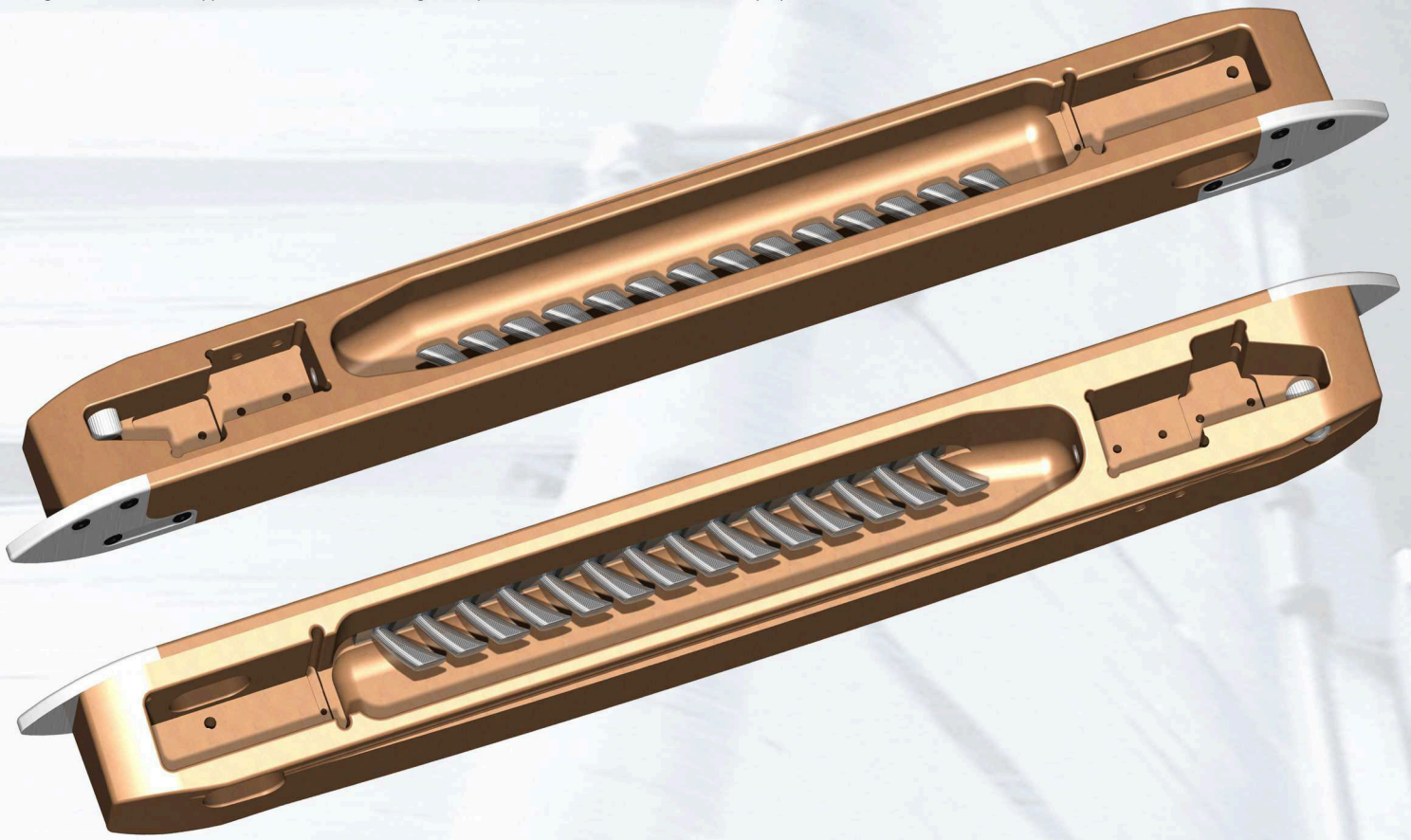
### Pirn positioning parts:

The pirn positioning unit and the pirn holding web have to be provided by the customer.



## Weaving Shuttles Type VRG-N1

High-Tec Shuttle type VRG-N1 on the highest precision level with basic equipment



### Basic equipment:

2 Ceramic eyelets, 1 Shuttle nose type VRL, 1 Shuttle nose type VRR, 2 Sensor plates type V, 2 locking nuts, 1 Brush strip 325 mm or 350 mm.

### Shuttle dimensions:

750/700 x 80 x 67/50 mm

**MARIN**  
Industrietechnik

Lechstrasse 2  
73529 Schwabisch Gmuend  
Germany

fon: + 49 (0) 7171 98 90 52  
fax: + 49 (0) 7171 98 90 53

email: [info@marin-technik.de](mailto:info@marin-technik.de)  
home: [www.marin-technik.de](http://www.marin-technik.de)